

AT41 LED DOWNLIGHT



* Product features:

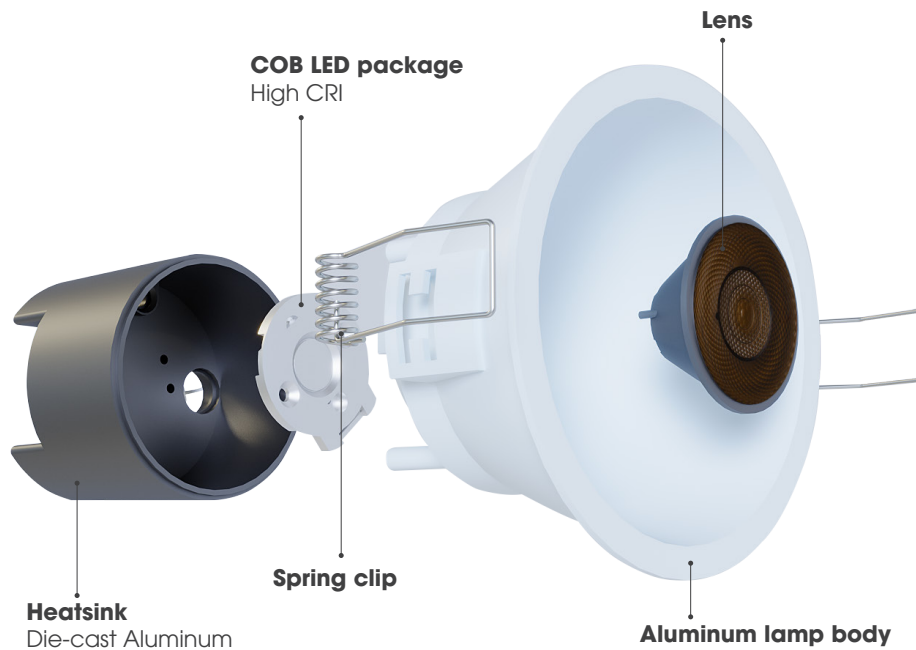
- High-quality LEDs provided by Samsung/ Seoul Semiconductor/ Nichia/ Lumiled with excellent performance
- High CRI of 90/ Sunlike for high color accuracy
- Die-cast aluminum housing with perfect heat dissipation
- Targeted beam angle for perfect accent lighting
- Deep reflector for a perfect anti-glare effect
- Long lifespan: 30,000 hours, saving the maintenance cost
- CE, KC certified

* Applications:

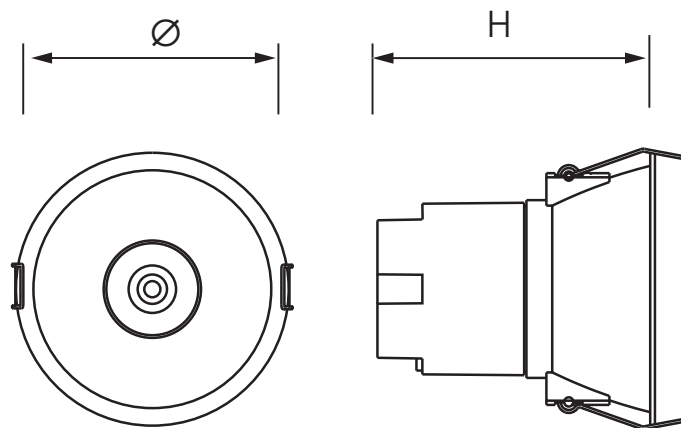
- Suitable for Home, office, restaurant, hotel, supermarket, commercial centers, showrooms, etc.



PRODUCT DETAILS



PRODUCT SPECIFICATIONS

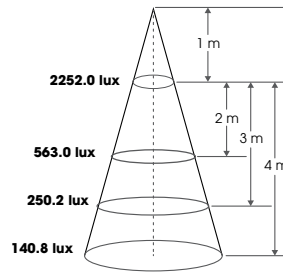
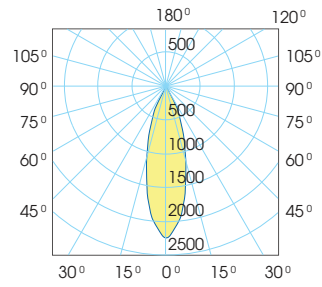


Model	Dimension ØxH (mm)	Power (W)	Voltage (V)	Power factor	Luminous flux (lm)	Luminous Efficacy (lm/W)	CCT (K)	CRI (Ra)	Beam angle (°)	Cut out Øc (mm)	Life span (hrs)
AT41 86/12W	93x95	12	120/220÷240/100÷277	0.5/0.9	720	60	3000/4000/5000/5700/6500	90	24	86	30,000

Capacity: 11.2 million pieces per year

Customizable: Power, Voltage (120/220÷240/100÷277), PF (0.5/0.9), lm/W, CCT (3000/4000/5000,5700,6500K), CRI (80/90/Sunlike), Driver (isolated/Dim- Triac), lifespan, etc.

LUMINOUS INTENSITY DISTRIBUTION



PACKING AND TRANSPORTATION



Type of lamps	Quantity in master box (pcs)	Estimated quantity / 20'DC	Estimated quantity / 40'HC
AT41 86/12W	12	22,308	51,216

Customizable according to customer's request



Exported markets: EU, South Korea, etc.



RANG DONG LIGHT SOURCE AND VACUUM FLASK JOINT STOCK COMPANY

Add: 87- 89 Ha Dinh Street, Thanh Xuan, Hanoi, Vietnam

Tel: (84-24) 3 858 4310 / 3 858 4165

Fax: (84-24) 3 858 5038

Email: export@rangdong.com.vn



Specifications are subject to change without prior notice